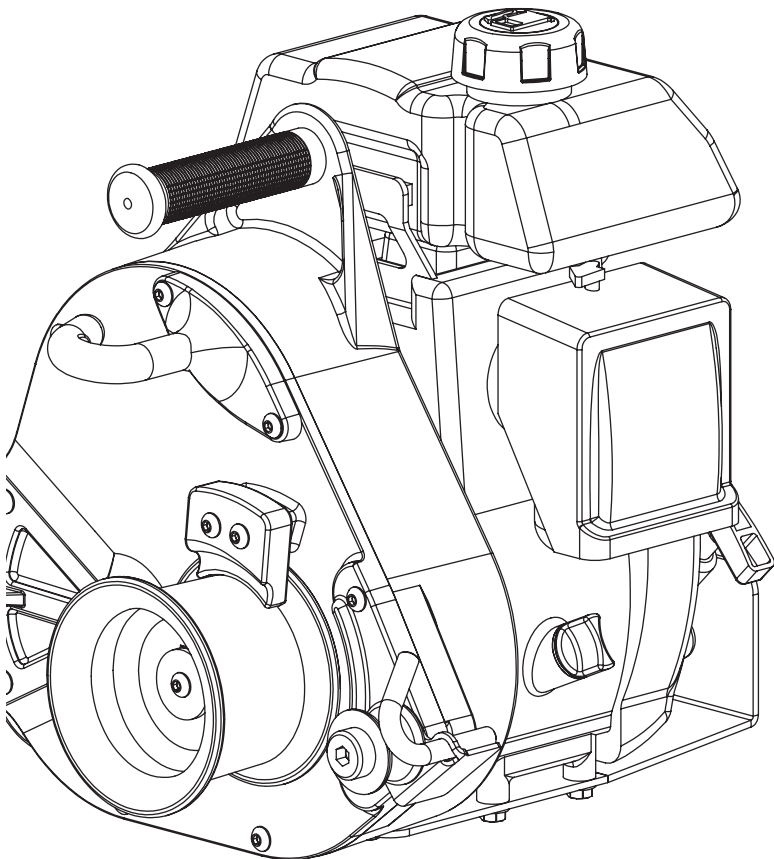




COVERED BY FIESTA

|| The Fabric Puller



A SENSITIVE PULL

Take full advantage of Fiesta Tents' 30 years of experience by getting hold of this easy to use and efficient tool.

Through years of structure installation, we have developed a work tool that will enhance your crews' performance and help you greatly in setting up any and all clear span tents.

MANUFACTURED BY
FIESTA TENTES LTD.

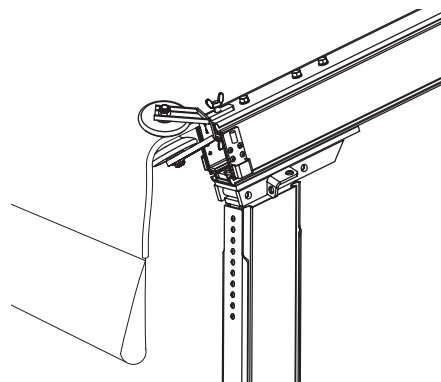
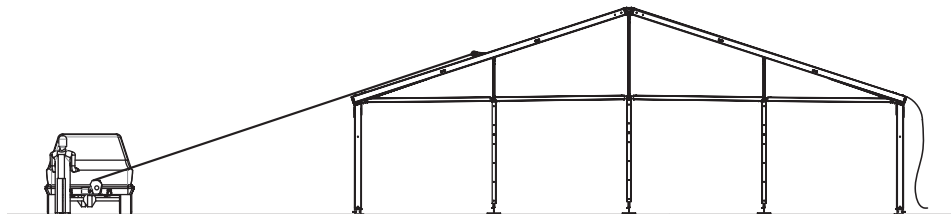
FABRIC PULLER

This new and innovative machine is made to pull tent tops on any and all clear span structures. This innovative piece of machinery will not only significantly reduce your labour requirements related to pulling tent tops, but it will also greatly improve the efficiency of this task.

The most significant feature of this product is the pulling sensitivity. As opposed to pulling with trucks or forklifts, this machine gives the operator a sense of the resistance offered when he is pulling the fabric.

This feature allows the operator to stop the process and maintain the top in place while another technician clears any obstructions. This prevents overstressing the tent tops and/or ripping the fabric, thereby causing expensive damages to your equipment.

Portable, lightweight and easy to use, this technology, extensively road tested by Fiesta Tents over the past years, is now made available to the entire industry. We can honestly say that this is one piece of machinery we could not do without.



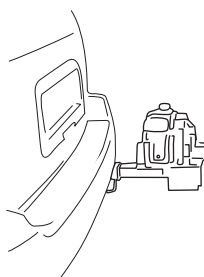
FEATURES

PULLING CAPACITY	SINGLE LINE 1000 kg (2200 lb)
GEAR BOX	Aluminum alloy; Gear ratio 110:1
UNIT WEIGHT (DRY)	16 kg (35 lb)
ENGINE	4-stroke Honda™ GXH-50 cc
DIMENSIONS (OVERALL)	33 cm (13") wide 36 cm (14") high 38 cm (15") deep
WARRANTY	5 years (Honda™ warranty on engine)
ROPE (low stretch double braided polyester)	Min. 10 mm (3/8") Max. 16 mm (5/8")
PERFORMANCE	STANDARD DRUM 57 mm (2 ^{1/4} ")
Max. line speed	12 m/min (40 ft/min)
Max. line pull	1136 kg (2500 lb)

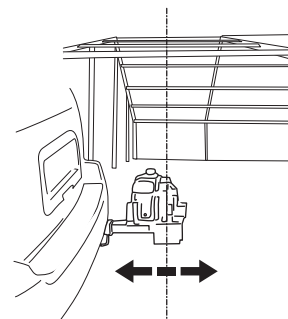
9091, Henri-Bourassa Blvd W.
Saint-Laurent (Quebec) Canada H4S 1H9
T 514 336 8368 || 1 800 465 5070 || www.fiesta.ca

STEPS

1. Attach winch to vehicle



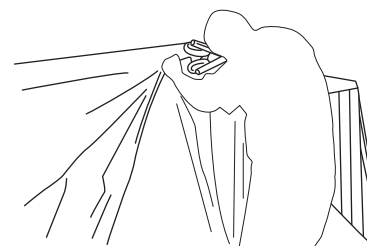
2. Center winch with desired tent top to be pulled



3. Prepare roofs panels for pulling



4. Install feeding wheels, rollers and ropes



5. Start engine and pull tent tops

